

# APS Decking User's Guide

## Decking Installation Guide

### I. Notice before installation

We suggest that installation should be done by qualified professionals. Before fixing, keep the concrete ground dry, clean and smooth. It's discouraged for uses, such as construct support, connector, or to be some parts of other load-bearing.



The moisture absorption rate of APS materials is 0.2%, while expansion rate is around 0.5%. Keep the necessary interspaces according to the length and width during installation. Keep the decking smooth, if have to install the decking boards at some active place, do not fix too tight. In order to avoid storing water, the groundwork needs to be slightly lean. We suggest to install the decking under 25°C or avoid to exposing to the hot sun in order to reduce the influence from thermal expansion and contraction.





### II. Installation Tools

Saw, Pistol Drills, Impact Hammers, Hand Saws.

	<p>Saw, used for sawing wood-plastic flooring into the required size in the construction scene</p>		<p>Impact Hammers, used for fixing column base.</p>
	<p>Pistol Drills. Because of the large density of wood-plastic flooring, Pistol Drills must be used to drill holes for self-tapping screws before fastening them.</p>		<p>Horizontal, used for leveling the keel of floor.</p>

### III. Main decking profiles and accessories

<p>APS Composite Decking</p>	
------------------------------	--

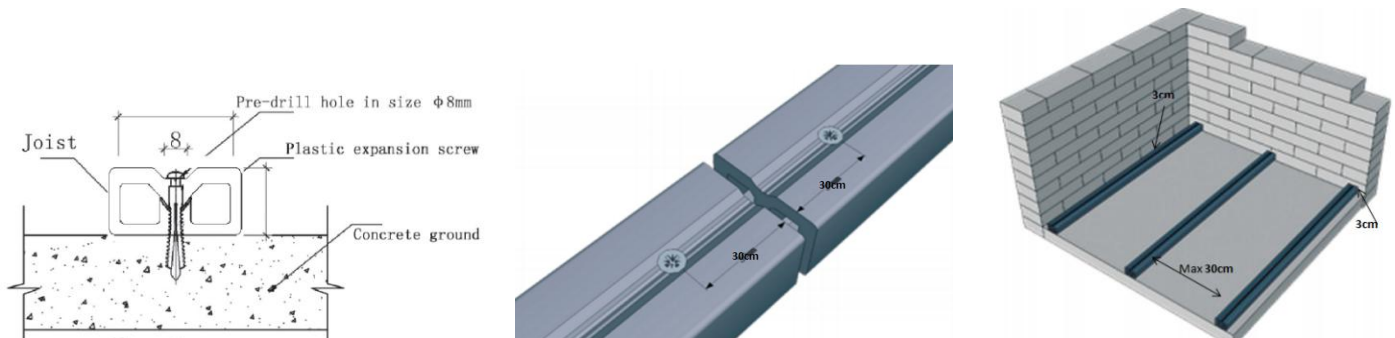
Composite joist	
Starting clips	
Clips for decking connecting (stainless steel and plastic)	
Clips for joist installing ( or use expansion screw directly )	
End trim	

#### IV. Installation Steps

**Note:** Please arrange more than two workers during installation, as the material would be possibly damaged if it is hit by heavy objects or falls from a high place.

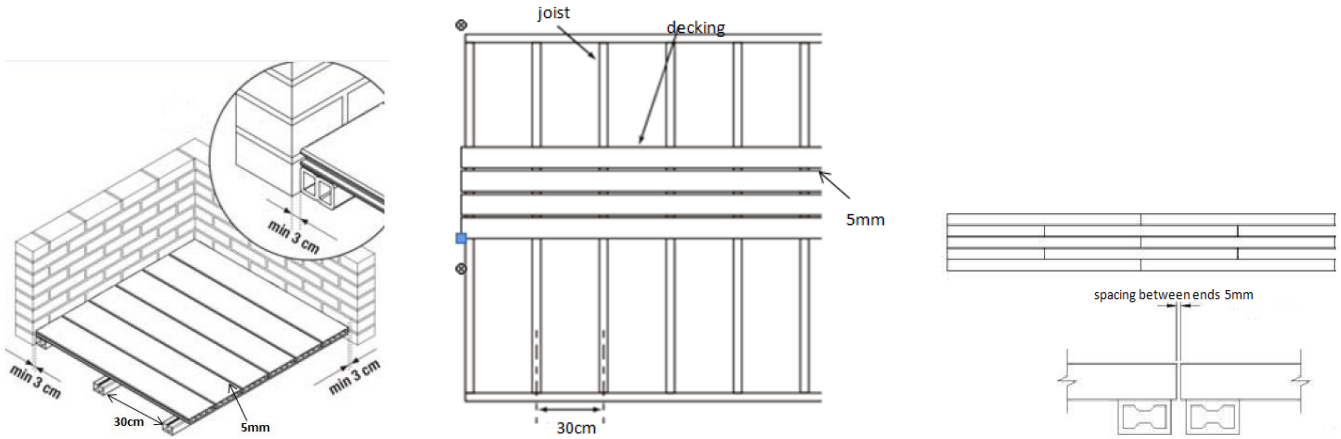
##### **Step1:** Fixing Joist on the ground:

Before fixing the joist, make sure the concrete ground is clean and dry. Pre drill with a drill-bit on the ground and joist, and put the plastic expansion plug into the holes, then fix the screws on it. The space of two holes should be less than 30cm. The maximum distance between the two joists should be 30cm. Leave at least 3cm for the space of end-gap to solid structure.



**Step 2:** Fixing the deck to the joist

Before fixing the decking, make sure the joists are clean and smooth. At the joint, leave a distance of 5mm for expansion. Please don't forget to leave at least 3cm for the space of end-gap to solid structure if it has. In order to keep the board from longitudinal shift because of thermal expansion and contraction, we suggest fixing one screw on the edge groove of each board into the joist. (only one screw for each board). For more information, please call +44(0)2892660500

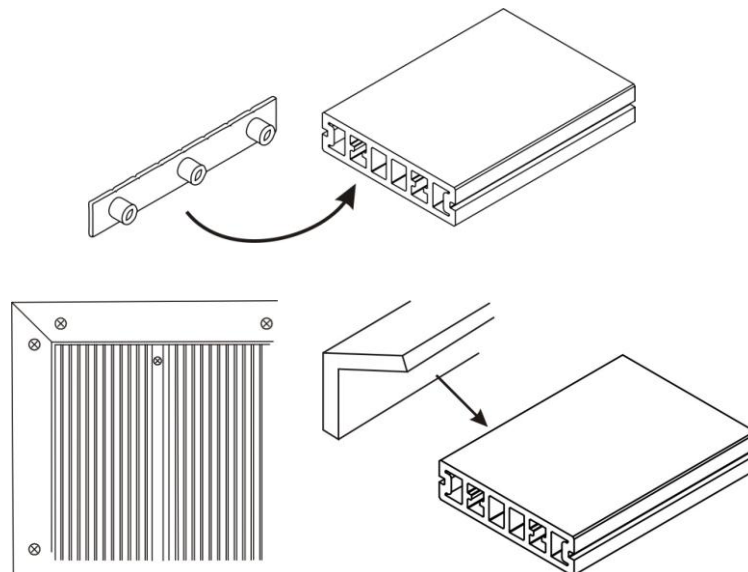


Attention:



**Step 3:**

If you want to decorate APS decking, you can use end cover to seal two sides of APS decking. Such as below picture.



## Care & Maintenance

- Keep APS products away from high-temperature equipment (such as heater, grilling apparatus, etc.) to avert deformation, discoloration, or other damages. Never let kerosene, gasoline, or other organic solvents come into contact with your deck.
- Do not leave opened cans or other metal items on it unattended for a long time to prevent rust stains. Do not place heavy loads directly onto it and try to keep this material away from heavy impact or attack during usage to avoid any damages.
- Please take care of it during transportation, installation and storage, avoid its falling from high place. Although APS decking needs low-maintenance, periodic cleaning can help maintain its beauty. Power washing with proper cleaning agents may enhance the results. Spray in the direction of grain pattern to avoid damaging it. Use with caution not to damage the material and always take proper safety precautions when operating a power washer.

Problem	Solution
Dirt or debris	Clean the decking to remove dirt or debris by using soap, hot water and a stiff bristle.
Mold & Mildew	Use conventional wood washes or cleaners that contain bleach and detergent (refer to Mold Technical Bulletin).
Chalk Markings	All colored chalk lines are permanent except white. Scrubbing the area with hot soapy water with bleach may dislodge some of the chalk
Ice, Snow	Calcium chloride or rock salt, available in many home centers, will melt ice on decking. Rinse off when first practical.
Water Spots	Clean with a deck cleaner containing Oxalic Acid. It is always best to test the cleaner on an inconspicuous or scrap piece of deck to make sure the cleaner does not harm the deck surface.
Oil and Grease Stains	Scrub in a household-degreasing agent as soon as the stain occurs. Rinse with hot water.
Berries and Wine Stains	Mix bleach into hot water according to the bleach-packaging label. Scrub the stain lightly and rinse thoroughly. The stain may not disappear entirely.
Ink Stains	Inks may be permanent. However, scrubbing with hot soapy water may lighten the stain. Rinse thoroughly.
Small scratches by high heel shoes, hard tools	On terrace surfaces can occur due to condensation of water and the accumulation of damp dirt or dust particles with subsequent drying to so-called water spots. Amplified this effect is partially under covered areas. Clean it contains a cleaning agent that oxalic acid. It is recommended that the cleaner on an inconspicuous area to apply to check in advance whether the cleaner does not damage the surface.

**Note: Please only walk with shoes on the floor after long sunshine, as the tiles could be very hot.**

**Aluminium & Plastic Systems Ltd**

Tel: +44(0)2892660500

Email: sales@aps-group.co.uk Web: www.aps-group.co.uk